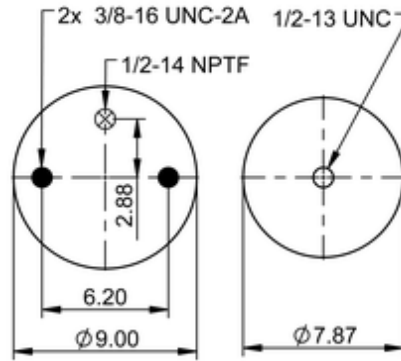
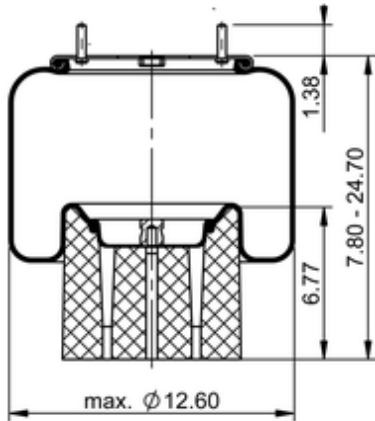


9 10-19 P 1617
601784


	13.4 lb
	9308765
	1/2-14 NPTF: max. 22 lbf ft
	3/8-16 UNC: max. 18 lbf ft

Cross-reference

TRP	AS16173
-----	---------

OE Manufacturer/Part No.

Manufacturer	Original Part No.	Model
Kenworth	C81-1013	

