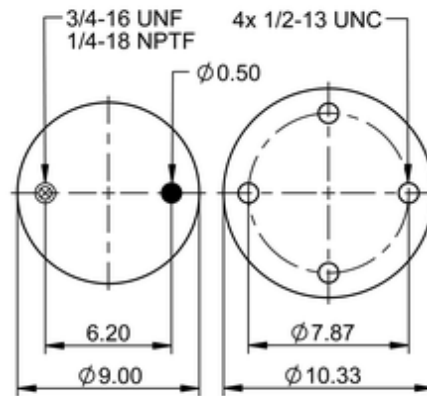
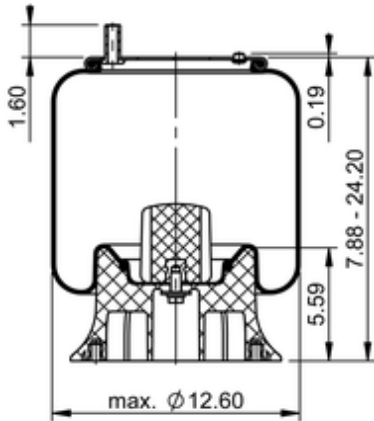


9 10-19 P 1251
76151


	15.4 lb
	9308133
	1/2-13 UNC: max. 35 lbf ft
	1/4-18 NPTF: max. 22 lbf ft
	3/4-16 UNF: max. 50 lbf ft

Cross-reference

Goodyear	1R12-1028
Goodyear Flex No.	566-24-3-116

OE Manufacturer/Part No.

Manufacturer	Original Part No.	Model
--------------	-------------------	-------

