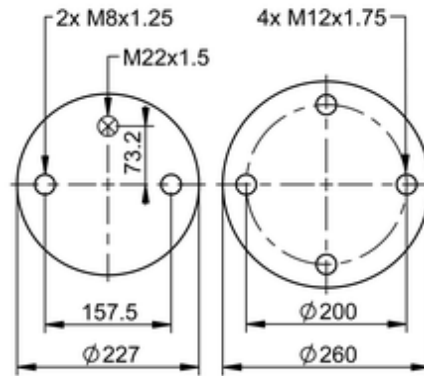
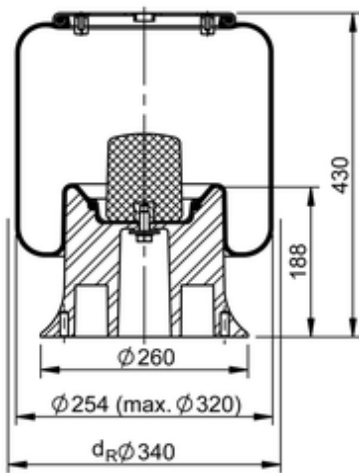


**9 10-19 A 989 Brazil**
**70383**


|  |                          |
|--|--------------------------|
|  | 19.8 lb                  |
|  | 9312694                  |
|  | M12x1.75: max. 35 lbf ft |
|  | M22x1.5: max. 22 lbf ft  |
|  | M8: max. 20 lbf ft       |

**Cross-reference**

|                   |               |
|-------------------|---------------|
| Firestone Style   | 1T15M-9       |
| Firestone No.     | W01-095-0293  |
| Goodyear          | 556 0 2 8665  |
| Goodyear Flex No. | 556 0 3 8084  |
| Airtech Ref.      | 134742        |
| Airtech No.       | 34159-18C ALU |

|                   |         |
|-------------------|---------|
| Suspentech flex   | ST 154K |
| Suspentech system | ST 154  |

**OE Manufacturer/Part No.**

| <b>Manufacturer</b> | <b>Original Part No.</b> | <b>Model</b> |
|---------------------|--------------------------|--------------|
| Scania              | SCANIA 143               |              |