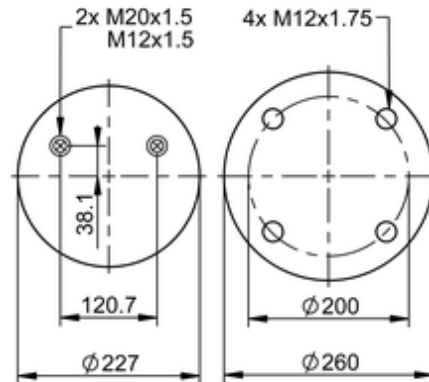
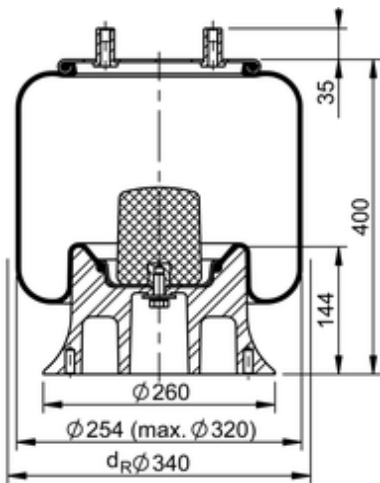


9 10-19 A 953 Brazil
67525


	18.1 lb
	9305213
	M12x1.5: max. 22 lbf ft
	M12x1.75: max. 35 lbf ft
	M20x1.5: max. 35 lbf ft

Cross-reference

Firestone Style	1T15M-9
Firestone No.	W01-095-0528
Firestone No.	W01-095-0667
Goodyear	556 0 2 8741
Goodyear Flex No.	556 0 3 8084
Suspentech flex	ST 144K

Suspentech system	ST 144
-------------------	--------

OE Manufacturer/Part No.

Manufacturer	Original Part No.	Model
FACCHINI	0308501719	