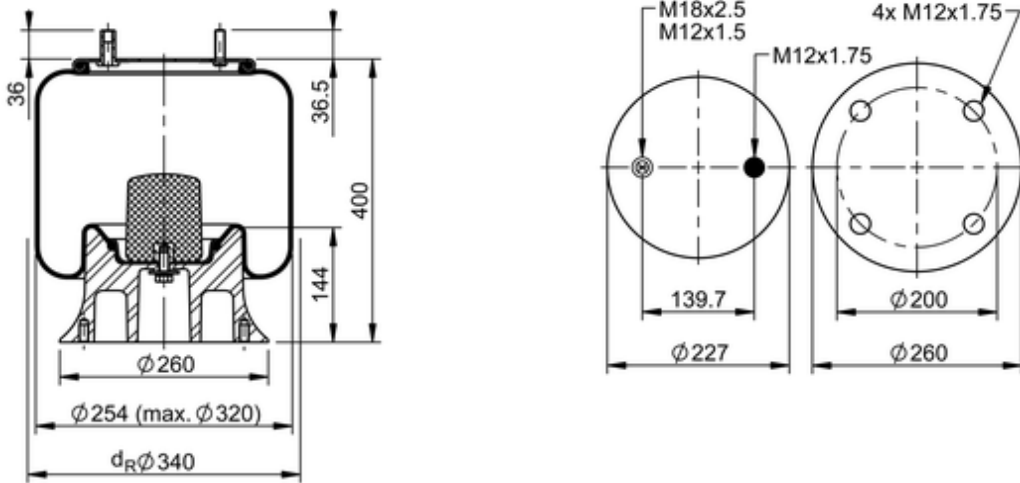


**9 10-19 A 952 Brazil**
**67522**


	17.9 lb
	9305213
	M12x1.5: max. 22 lbf ft
	M12x1.75: max. 35 lbf ft
	M18: max. 35 lbf ft

**Cross-reference**

Firestone Style	1T15M-9
Firestone No.	W01-095-0314
Goodyear	556 0 2 8666
Goodyear Flex No.	556 0 3 8084
Airtech Ref.	136402
Airtech No.	34159-16C

Flexyon system	XY 6126
Suspentech system	ST 035

**OE Manufacturer/Part No.**

<b>Manufacturer</b>	<b>Original Part No.</b>	<b>Model</b>
HBZ	80006-03	
FACCHINI	0308501705	
RANDON	212100301	