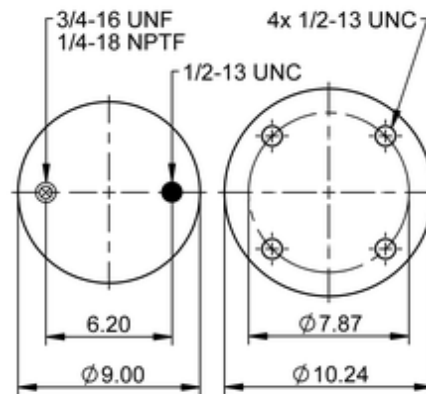
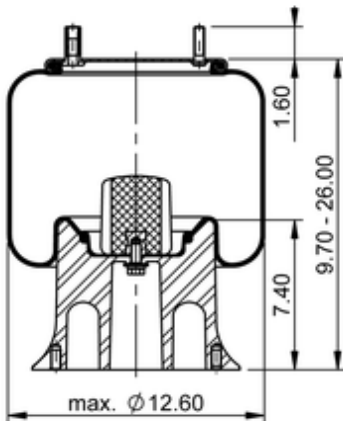


9 10-19 A 946
67480


	20 lb
	9305198
	1/2-13 UNC: max. 35 lbf ft
	1/4-18 NPTF: max. 22 lbf ft
	3/4-16 UNF: max. 50 lbf ft

Cross-reference

Goodyear	1R12-142
Goodyear Flex No.	566243066
Triangle	AS-8946

OE Manufacturer/Part No.

Manufacturer	Original Part No.	Model
R&S Truck	10907	
Loadguard	SC2108	
Suspensions, Inc.	200041	
International	1681579C1	