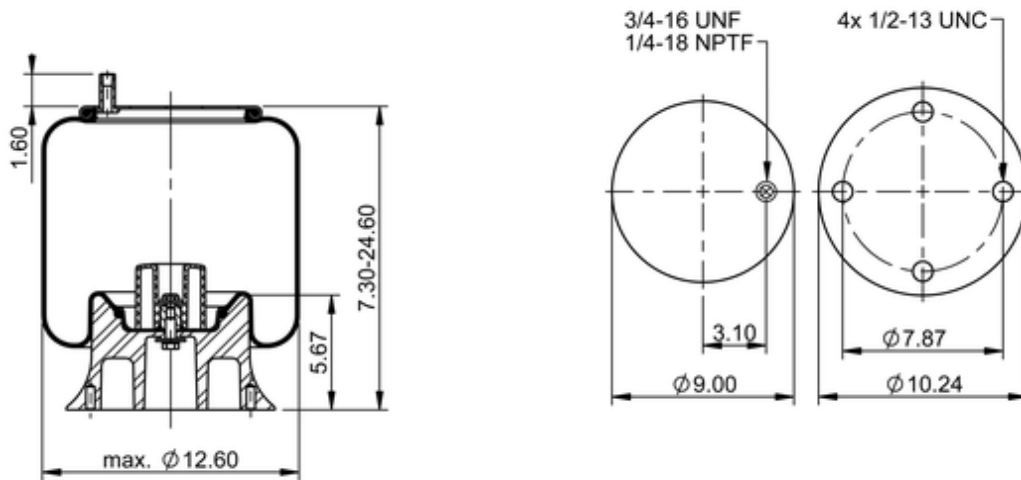







**9 10-19 A 552**

**64761**



	16.2 lb
	9305199
	1/2-13 UNC: max. 35 lbf ft
	1/4-18 NPTF: max. 22 lbf ft
	3/4-16 UNF: max. 50 lbf ft

**Cross-reference**

Automann	1DK23L-A552
----------	-------------

**OE Manufacturer/Part No.**

Manufacturer	Original Part No.	Model
Tuthill	704671-01	

