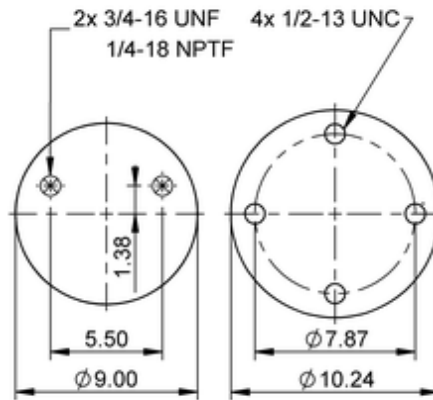
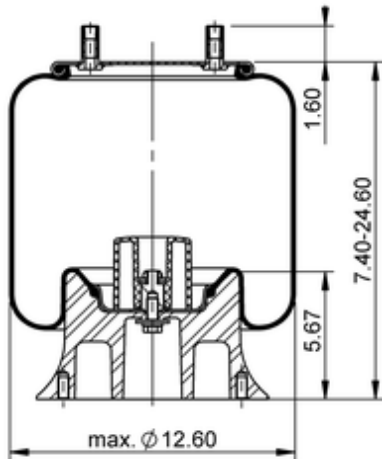


**9 10-19 A 084**
**78224**


	16.8 lb
	9305199
	1/2-13 UNC: max. 35 lbf ft
	1/4-18 NPTF: max. 22 lbf ft
	3/4-16 UNF: max. 50 lbf ft

**Cross-reference**

TRP	AS00843
Automann	1DK23L-A084

**OE Manufacturer/Part No.**

Manufacturer	Original Part No.	Model
--------------	-------------------	-------

