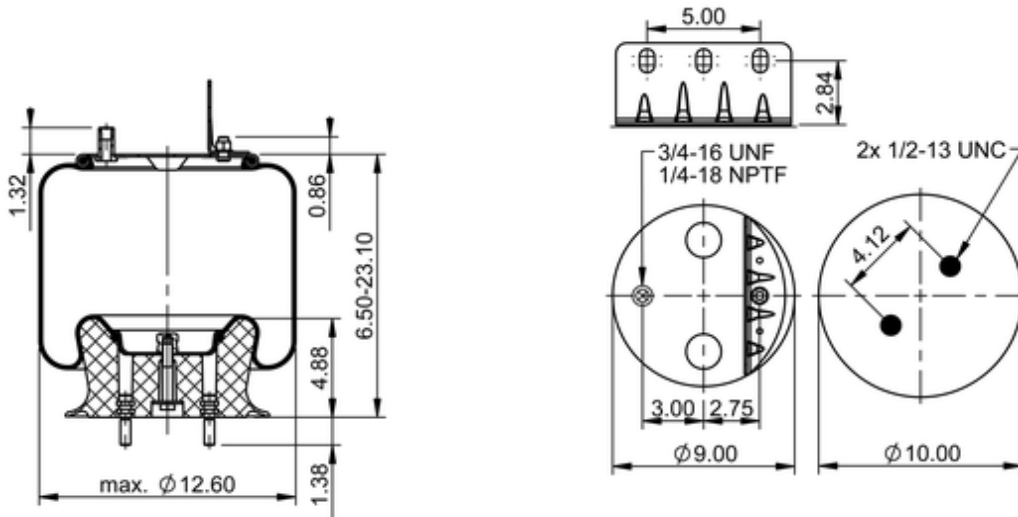


**9 10-18.5 P 521 (BK)**
**69646**


	15.5 lb
	9308663
	1/2-13 UNC: max. 35 lbf ft
	1/4-18 NPTF: max. 22 lbf ft
	3/4-16 UNF: max. 50 lbf ft

**Cross-reference**

Firestone Style	1T15M-8
Firestone No.	W01-358-9371
FleetPride	AS9371
Goodyear	1R12-401
Goodyear Flex No.	566243163
Triangle	AS-8521

Vibracoustic	V 1 DK 23 L-9371
TRP	AS93710
Airtech Ref.	39371K
Road Choice	AS9371

**OE Manufacturer/Part No.**

<b>Manufacturer</b>	<b>Original Part No.</b>	<b>Model</b>
Watson & Chalin	AS-0139	
Navistar/Fleetrite	1R12-1062	
Navistar/Fleetrite	1670043C1	
Navistar/Fleetrite	1686386C1	
Navistar/Fleetrite	1670073C1	