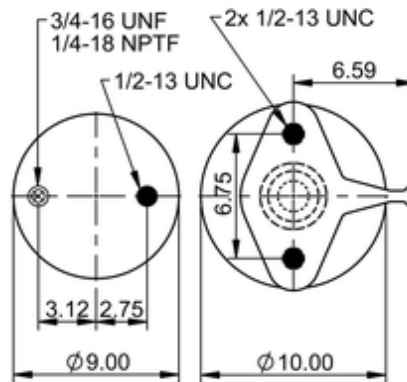
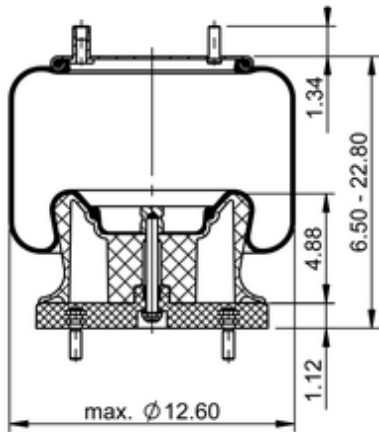


**9 10-18.5 P 097**
**68614**


	19.6 lb
	9308660
	1/2-13 UNC: max. 35 lbf ft
	1/4-18 NPTF: max. 22 lbf ft
	M12x1.75: max. 30 lbf ft

**Cross-reference**

Firestone Style	1T15M-8
Firestone No.	W01-358-9654
Triangle	AS-8097
TRP	AS96540
Automann	1DK23M-9654
Road Choice	AS9654

**OE Manufacturer/Part No.**

<b>Manufacturer</b>	<b>Original Part No.</b>	<b>Model</b>
Hendrickson	65032-2	