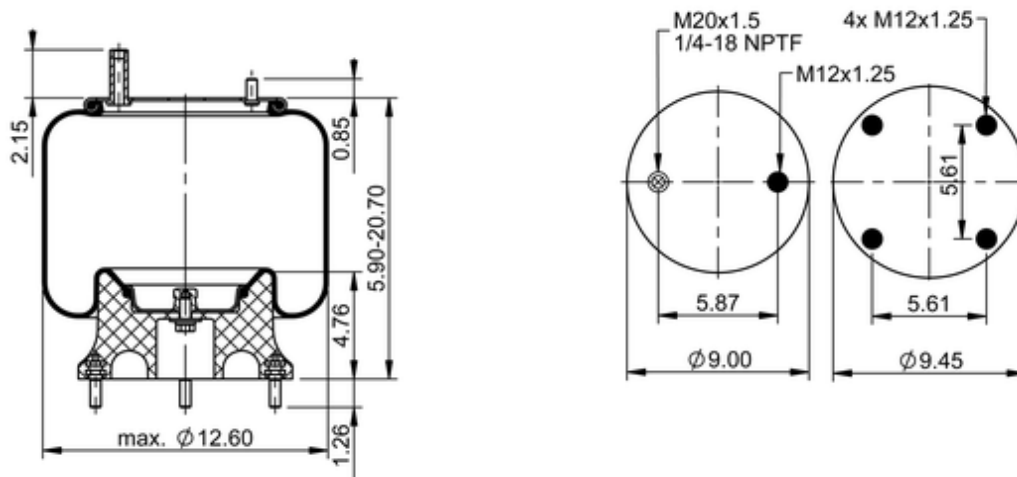







9 10-16 P 876

67450



 lb	11.9 lb
	9312658
	1/4-18 NPTF: max. 18 lbf ft
	M12: max. 35 lbf ft
	M20x1.5: max. 50 lbf ft

Cross-reference

Automann	1DK23K-P876
----------	-------------

OE Manufacturer/Part No.

Manufacturer	Original Part No.	Model
FUSO	MK459315	

