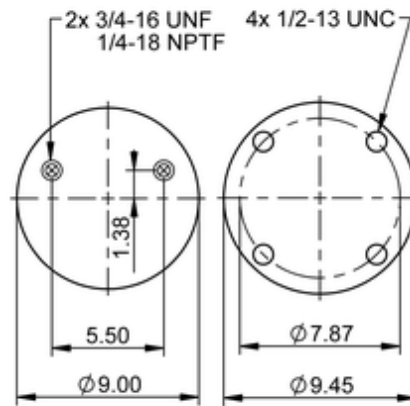
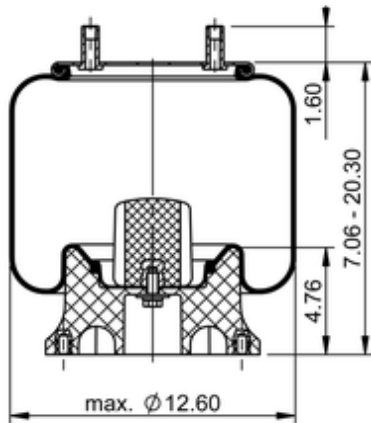


9 10-16 P 841

66005



	13.9 lb
	9308301
	1/2-13 UNC: max. 35 lbf ft
	1/4-18 NPTF: max. 22 lbf ft
	3/4-16 UNF: max. 50 lbf ft

**Cross-reference**

Triangle	AS-8841
Automann	1DK23K-P841

**OE Manufacturer/Part No.**

Manufacturer	Original Part No.	Model
--------------	-------------------	-------

