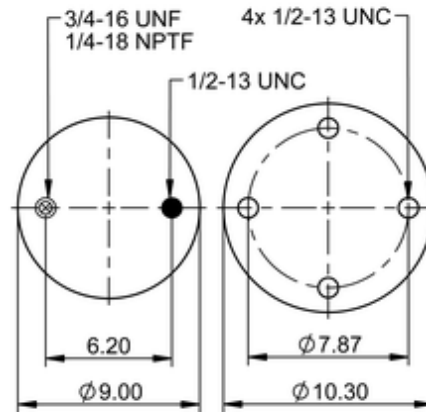
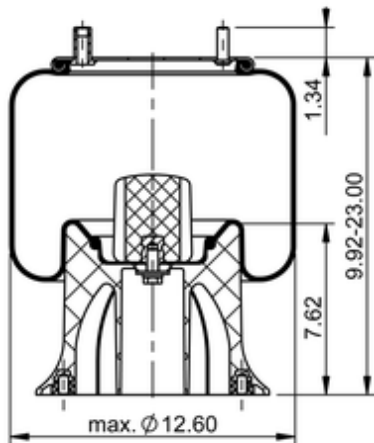


9 10-16 P 770
64651


	16.5 lb
	9308129
	1/2-13 UNC: max. 35 lbf ft
	1/4-18 NPTF: max. 22 lbf ft
	3/4-16 UNF: max. 50 lbf ft

Cross-reference

Goodyear	1R12-576
Goodyear Flex No.	566243038
Triangle	AS-8770
Automann	1DK23K-P770

OE Manufacturer/Part No.

Manufacturer	Original Part No.	Model
Watson & Chalin	AS-0125-G	