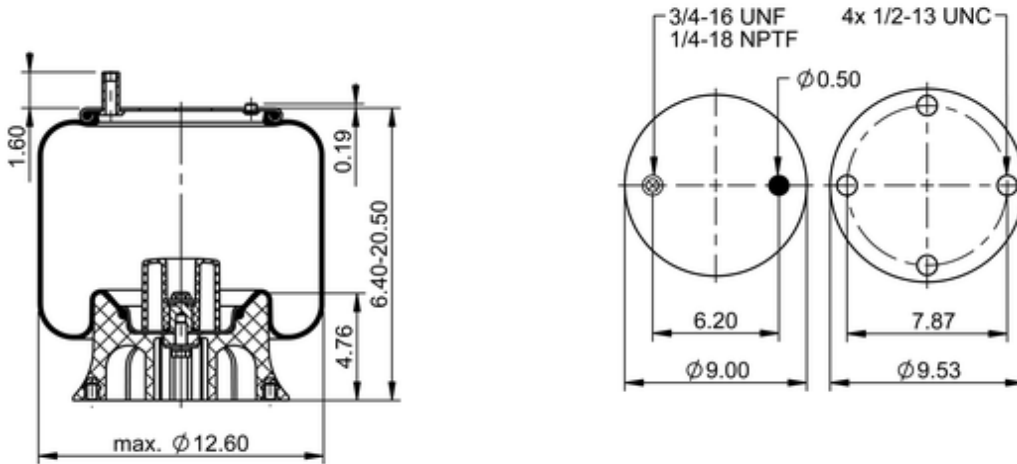


**9 10-16 P 769**
**64650**


	13 lb
	9308301
	1/2-13 UNC: max. 35 lbf ft
	1/4-18 NPTF: max. 22 lbf ft
	3/4-16 UNF: max. 50 lbf ft

**Cross-reference**

Firestone No.	W01-358-8825
Goodyear	1R12-541
Goodyear Flex No.	566243038
Triangle	AS-8769
TRP	AS88250
Automann	1DK23K-P769

**OE Manufacturer/Part No.**

<b>Manufacturer</b>	<b>Original Part No.</b>	<b>Model</b>
Watson & Chalin	AS-0113-G	