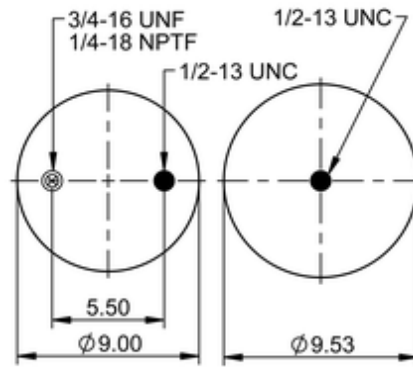
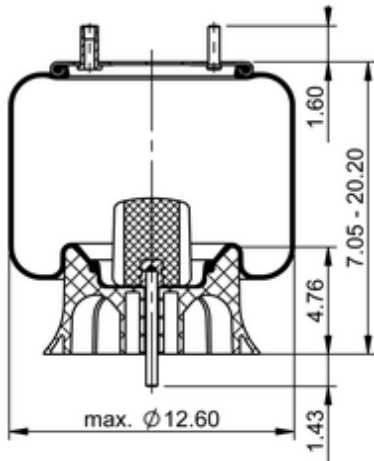


9 10-16 P 498
64315


	13.7 lb
	9308128
	1/2-13 UNC: max. 35 lbf ft
	1/4-18 NPTF: max. 22 lbf ft
	3/4-16 UNF: max. 50 lbf ft

Cross-reference

Firestone Style	1T15M-6
Firestone No.	W01-358-8927
Taurus	6363
Triangle	AS-8498
TRP	AS89270
Automann	1DK23K-8927

OE Manufacturer/Part No.

Manufacturer	Original Part No.	Model
Watson & Chalin	AS-0062	