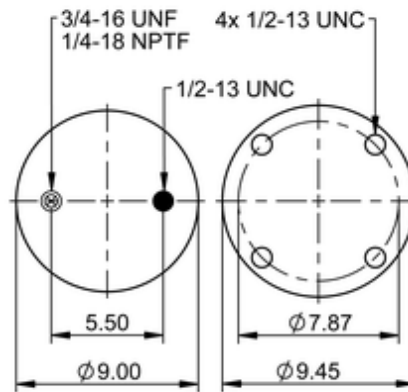
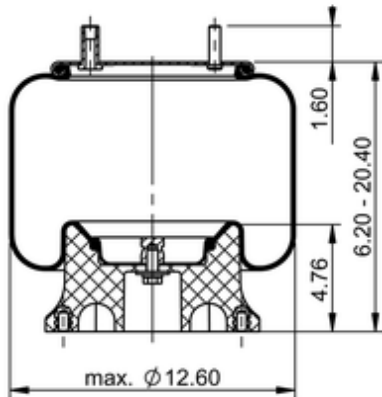


9 10-16 P 394
64307


	11.5 lb
	9308301
	1/2-13 UNC: max. 35 lbf ft
	1/4-18 NPTF: max. 22 lbf ft
	3/4-16 UNF: max. 50 lbf ft

Cross-reference

Firestone Style	1T15M-6
Firestone No.	W01-358-9004
Taurus	6363
Triangle	AS-8394
Automann	1DK23K-9004

OE Manufacturer/Part No.

Manufacturer	Original Part No.	Model
Watson & Chalin	AS-0043	