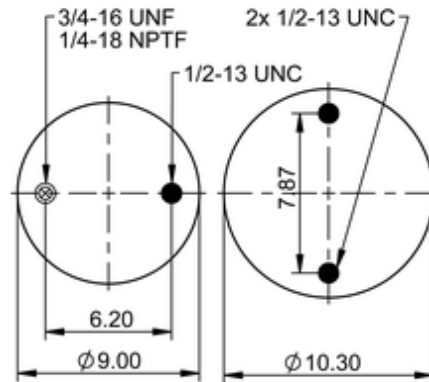
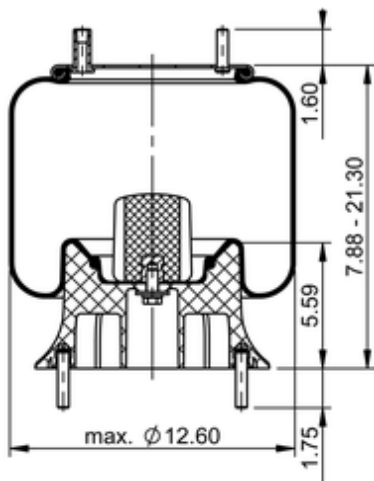


9 10-16 P 371
64300


	15 lb
	9308133
	1/2-13 UNC: max. 35 lbf ft
	1/4-18 NPTF: max. 22 lbf ft
	3/4-16 UNF: max. 50 lbf ft

Cross-reference

Firestone Style	1T15M-6
Firestone No.	W01-358-9256
Taurus	6363
Triangle	AS-8371
TRP	AS92560
Automann	1DK23K-9256

OE Manufacturer/Part No.

Manufacturer	Original Part No.	Model
Hendrickson	49160	