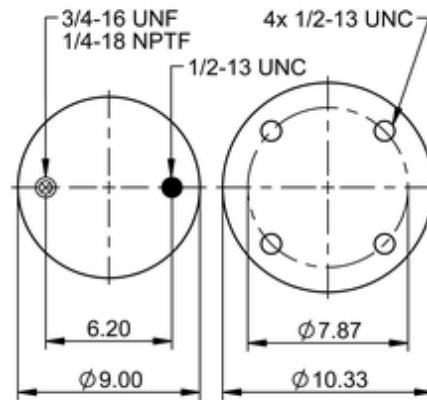
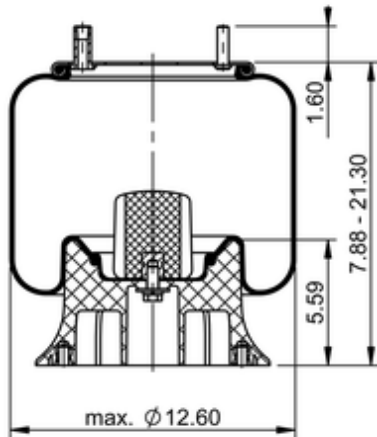


9 10-16 P 353
64298


	14.9 lb
	9308133
	1/2-13 UNC: max. 35 lbf ft
	1/4-18 NPTF: max. 22 lbf ft
	3/4-16 UNF: max. 50 lbf ft

Cross-reference

Firestone Style	1T15M-6
Firestone No.	W01-358-9227
FleetPride	AS9227
Goodyear	1R12-130
Goodyear Flex No.	566243038
Taurus	6363

Triangle	AS-8353
TRP	AS92270
Automann	1DK23K-9227

OE Manufacturer/Part No.

Manufacturer	Original Part No.	Model
Hendrickson	S-2924	
Hendrickson	48195-1	
Dayton	352-9227	