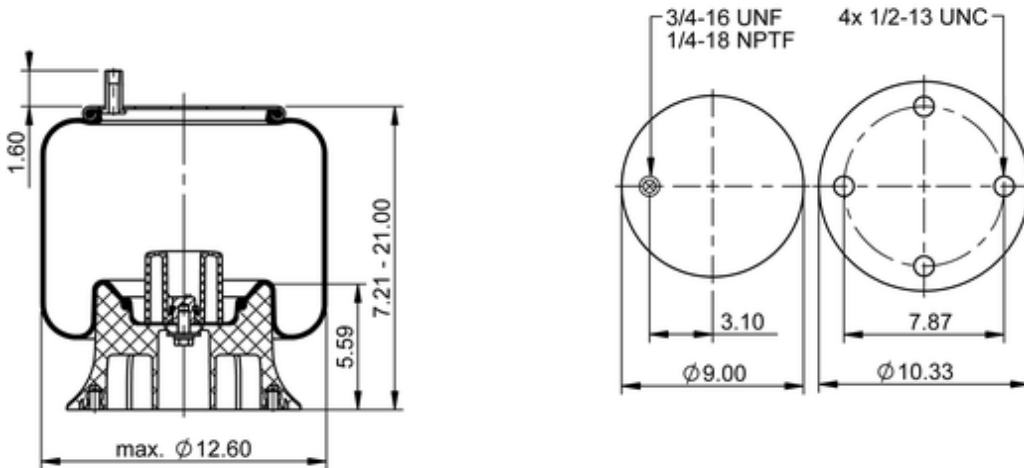







9 10-16 P 1602

601539



	13 lb
	9308133
	1/2-13 UNC: max. 35 lbf ft
	1/4-18 NPTF: max. 22 lbf ft
	3/4-16 UNC: max. 50 lbf ft

Cross-reference

Firestone Style	1T15M-6
Firestone No.	W01-358-8824

OE Manufacturer/Part No.

Manufacturer	Original Part No.	Model
--------------	-------------------	-------

Reyco	702614-01
Tuthill	702614-01