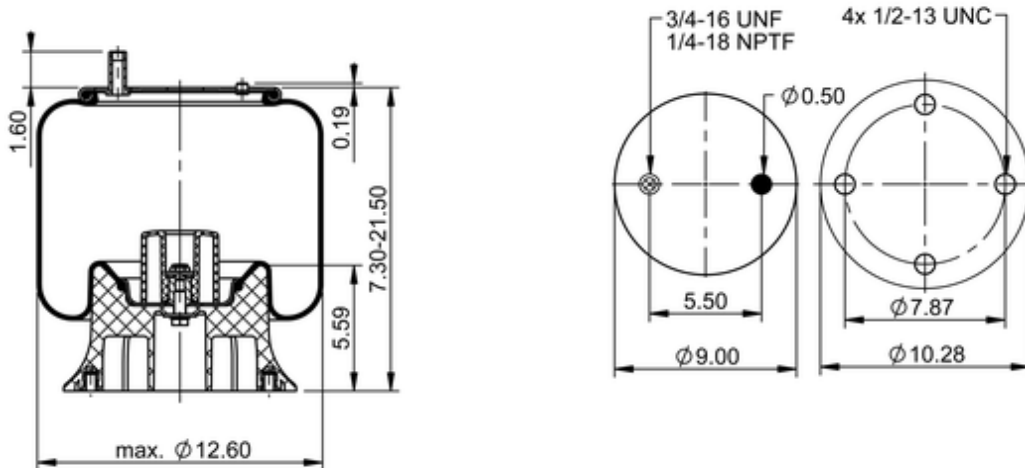


**9 10-16 P 1240**
**75973**


	14.3 lb
	9308133
	1/2-13 UNC: max. 35 lbf ft
	1/4-18 NPTF: max. 22 lbf ft
	3/4-16 UNF: max. 50 lbf ft

**Cross-reference**

Goodyear	1R12-584
Goodyear Flex No.	566-24-3-038
Triangle	AS-81240
TRP	AS12403

**OE Manufacturer/Part No.**

<b>Manufacturer</b>	<b>Original Part No.</b>	<b>Model</b>
Ridewell	1001R12584G	
Watson & Chalin	AS-0061-1	