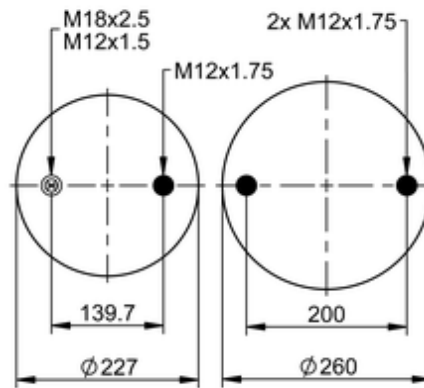
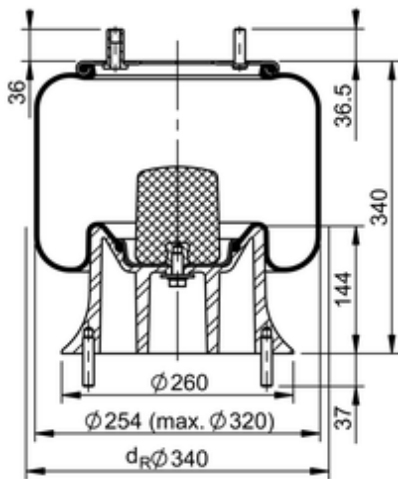


9 10-16 A 849 Brazil
67987


	17.4 lb
	9305213
	M12x1.5: max. 22 lbf ft
	M12x1.75: max. 35 lbf ft
	M18: max. 35 lbf ft

Cross-reference

Firestone Style	1T15M-6
Firestone No.	W01-095-0420
Firestone No.	W01-095-0663
Goodyear	556 0 2 8653
Goodyear Flex No.	556 0 3 8085
Airtech Ref.	136672

Airtech No.	34156-15C
Flexyon system	XY 6117
Suspentech flex	ST 039K
Suspentech system	ST 039

OE Manufacturer/Part No.

Manufacturer	Original Part No.	Model
SUSPENSY	R78000001	
SUSPENSY	R71500002	
RANDON	212100333	
MAN	2T0616041	18310 TITAN
MAN	2T0616041	19320 CONSTELATION
MAN	2T0616041	24220EUROIIIWORKER
MAN	2T0616041	24250EWORKER