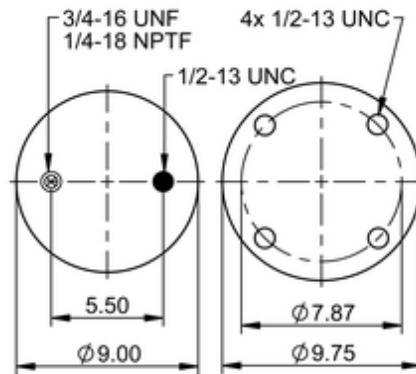
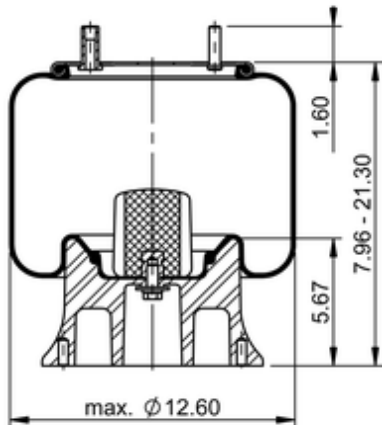


9 10-16 A 354
64299


	16.7 lb
	9311400
	1/2-13 UNC: max. 35 lbf ft
	1/4-18 NPTF: max. 22 lbf ft
	3/4-16 UNF: max. 50 lbf ft

Cross-reference

Firestone Style	1T15M-6
Firestone No.	W01-358-9228
Taurus	6363
Triangle	AS-8354
TRP	AS92280
Automann	1DK23K-9228

OE Manufacturer/Part No.

Manufacturer	Original Part No.	Model
Hendrickson	B-3411	
Sauer	P50-733B	
Watson & Chalin	AS-0083	