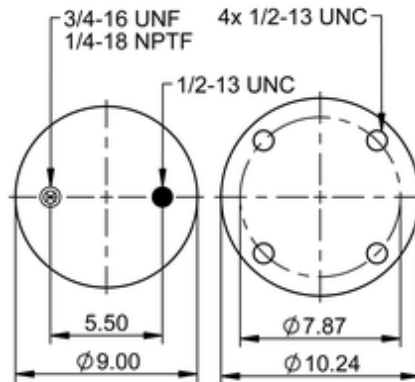
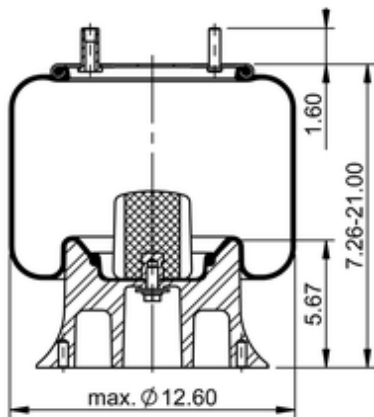







9 10-16 A 310

70115



	16.9 lb
	9305199
	1/2-13 UNC: max. 35 lbf ft
	1/4-18 NPTF: max. 22 lbf ft
	3/4-16 UNF: max. 50 lbf ft

Cross-reference

Goodyear	1R12-509
Goodyear Flex No.	566243038
Automann	1DK23K-9082A

OE Manufacturer/Part No.

Manufacturer	Original Part No.	Model
Brake & Wheel	M3513	
Meritor	201869	
Gillig	5317602001	
Mack	57QL310	
Granning	6418	
Volvo	3130491	
TOYO	TRL240393	
Granning	2727	
Eveley	RA 1954-5	
Dayton	352-9082	
Loadguard	SC2035	
Kwik Loc/Todco	CP-5152	
Loadguard	SC2762	
Navistar/Fleetrte	517559C9	
SAF Holland	90557006	
Ridewell	1003589082C	
Reyco	12882-01	
R&S Truck	1090217	
Kwik Loc/Todco	CP-5125	
Kwik Loc/Todco	CP-3281	
Hendrickson	B-12514-007	
Hendrickson	S-13159	
Hendrickson	S-11651	
Hendrickson	S-4041	
Hendrickson	S-2066	
Fab Tek	101929	
Watson & Chalin	AS-0011	
Taurus	AS506-9082	
Suspensions, Inc.	201869	
Spring Valley	AS-8310	
Silent Drive	AS-9082	
SAF Holland	90044647	
SAF Holland	90044200	
SAF Holland	90557075	
SAF Holland	90557054	
SAF Holland	90557037	
SAF Holland	90557033	

SAF Holland	90557027
Hendrickson	36514-7
Hutchens	H-9360-01
HDA	PMABG-9082