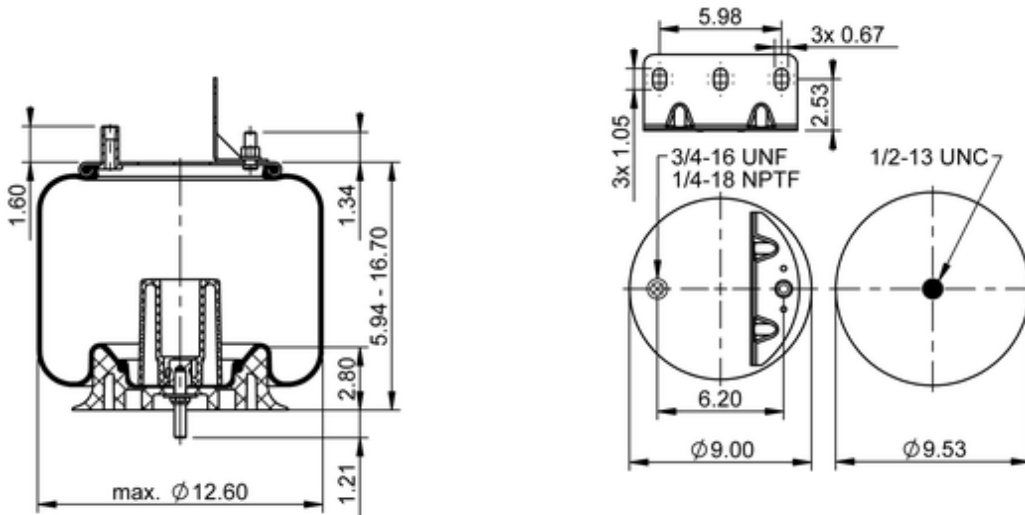


9 10-14 P 906 (BK)
68154


	13.3 lb
	9308127
	1/2-13 UNC: max. 35 lbf ft
	1/4-18 NPTF: max. 22 lbf ft
	3/4-16 UNF: max. 50 lbf ft

Cross-reference

Firestone Style	1T15M-4
Firestone No.	W01-358-8817
Triangle	AS-8906
Automann	1DK23I-8817

OE Manufacturer/Part No.

Manufacturer	Original Part No.	Model
Hendrickson	60925-2	