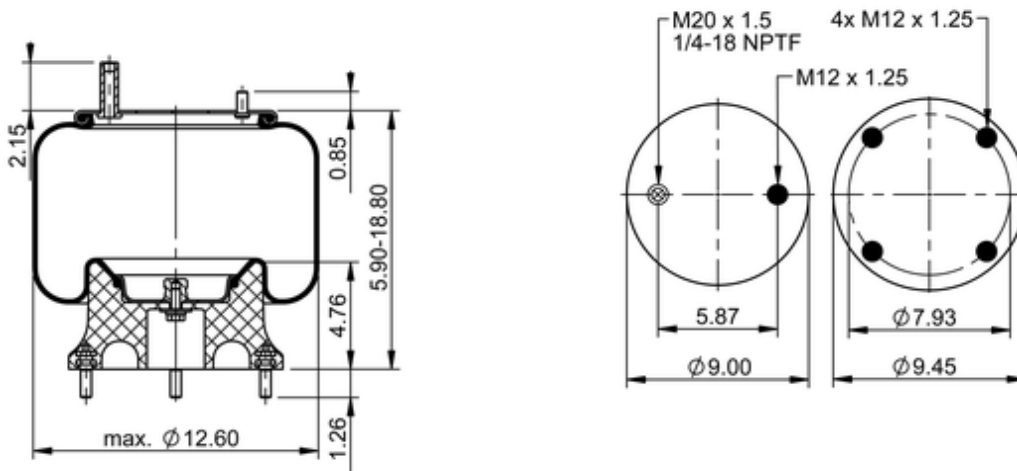







9 10-14 P 875

67449



	12.5 lb
	9312658
	1/4-18 NPTF: max. 18 lbf ft
	M12: max. 35 lbf ft
	M20x1.5: max. 50 lbf ft

### Cross-reference

Automann	1DK23I-P875
----------	-------------

### OE Manufacturer/Part No.

Manufacturer	Original Part No.	Model
FUSO	MK459314	

