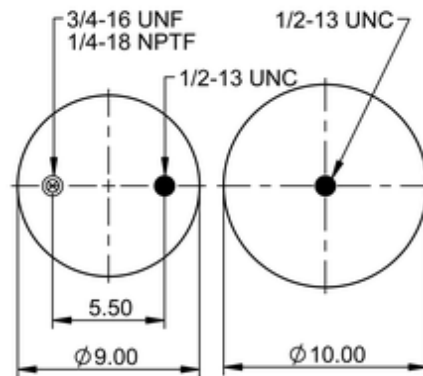
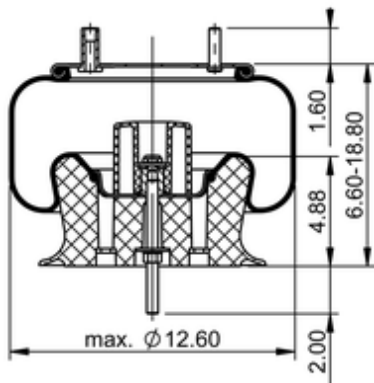







9 10-14 P 825

65912



	13.6 lb
	9308660
	1/2-13 UNC: max. 35 lbf ft
	1/4-18 NPTF: max. 22 lbf ft
	3/4-16 UNF: max. 50 lbf ft

Cross-reference

Automann	1DK23I-P825
----------	-------------

OE Manufacturer/Part No.

Manufacturer	Original Part No.	Model
ZF	050121-8174	

