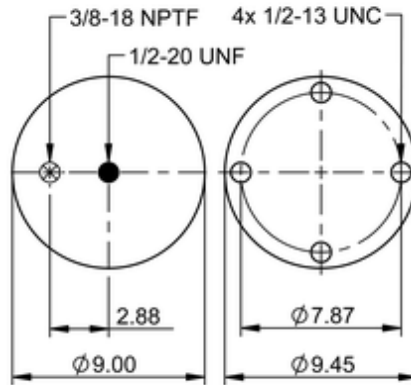
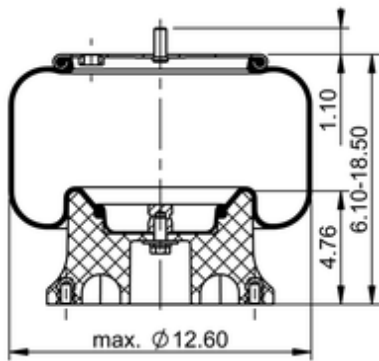


9 10-14 P 709
64632


	11.1 lb
	9308301
	1/2-13 UNC: max. 35 lbf ft
	1/2-20 UNF: max. 35 lbf ft
	3/8-18 NPTF: max. 20 lbf ft

Cross-reference

Firestone Style	1T15M-4
Firestone No.	W01-W35-9060
Goodyear	1R12-285
Goodyear Flex No.	566243038
TRP	AS90600
Automann	1DK23I-9060

OE Manufacturer/Part No.

Manufacturer	Original Part No.	Model
New Flyer	000065	
New Flyer	014635	