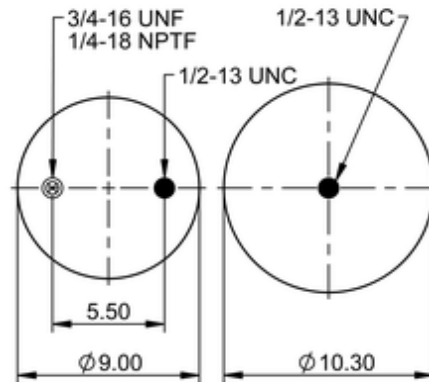
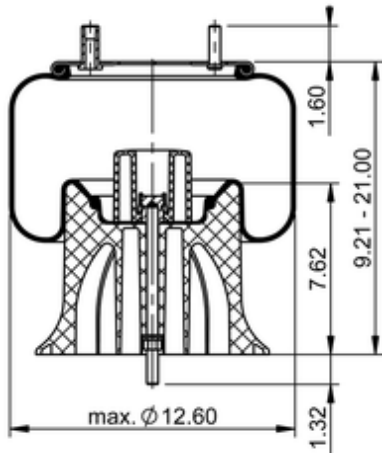


9 10-14 P 534
78183


	14.3 lb
	9306248
	1/2-13 UNC: max. 35 lbf ft
	1/4-18 NPTF: max. 22 lbf ft
	3/4-16 UNF: max. 50 lbf ft

Cross-reference

TRP	AS05343
Automann	1DK23I-P534

OE Manufacturer/Part No.

Manufacturer	Original Part No.	Model
--------------	-------------------	-------

