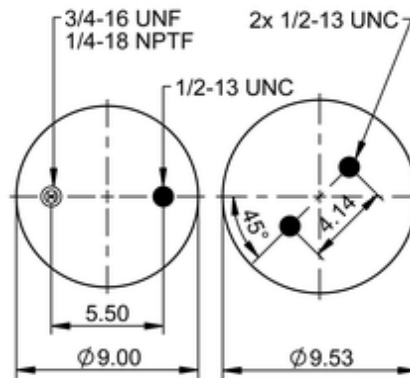
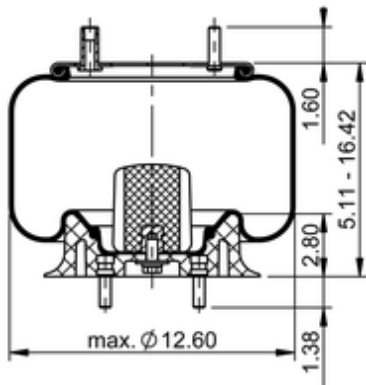


**9 10-14 P 450**
**64472**


	12.3 lb
	9308624
	1/2-13 UNC: max. 35 lbf ft
	1/4-18 NPTF: max. 22 lbf ft
	3/4-16 UNF: max. 50 lbf ft

**Cross-reference**

Firestone Style	1T15LC-4.5
Firestone No.	W01-358-9568
FleetPride	AS9568
Goodyear	1R12-205
Goodyear Flex No.	566243076
Taurus	6362

Triangle	AS-8450
TRP	AS95680
Automann	1DK23I-9568

**OE Manufacturer/Part No.**

<b>Manufacturer</b>	<b>Original Part No.</b>	<b>Model</b>
Navistar/Fleetrite	1675495C1	