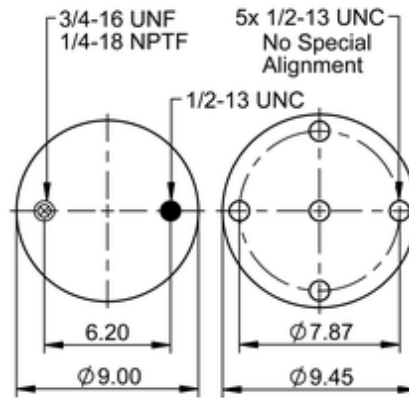
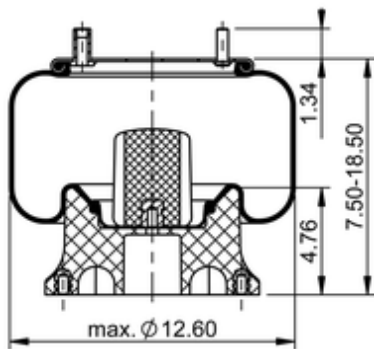


**9 10-14 P 348**
**64468**


	13 lb
	9308301
	1/2-13 UNC: max. 35 lbf ft
	1/4-18 NPTF: max. 22 lbf ft
	3/4-16 UNF: max. 50 lbf ft

**Cross-reference**

Firestone Style	1T15M-4
Firestone No.	W01-358-9068
Taurus	6362
Triangle	AS-8348
TRP	AS90680
Automann	1DK23I-9068

**OE Manufacturer/Part No.**

<b>Manufacturer</b>	<b>Original Part No.</b>	<b>Model</b>
Navistar/Fleetrite	350449C1	