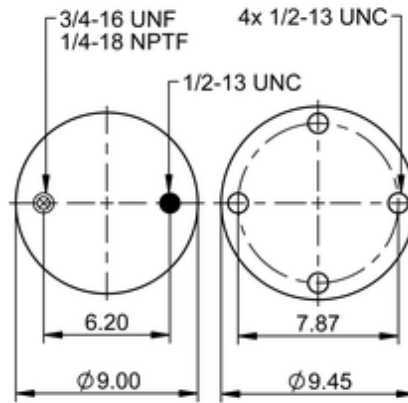
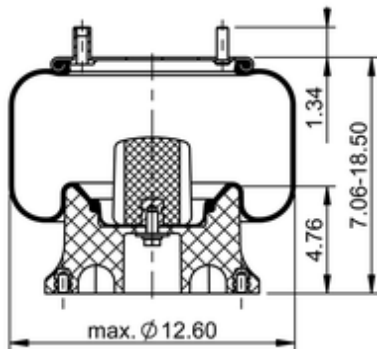







9 10-14 P 347

65364



	13.4 lb
	9308301
	1/2-13 UNC: max. 35 lbf ft
	1/4-18 NPTF: max. 22 lbf ft
	3/4-16 UNF: max. 50 lbf ft

Cross-reference

Firestone Style	1T15M-4
Firestone No.	W01-358-9063
Taurus	6362
Triangle	AS-8347
TRP	AS90630
Automann	1DK231-9063

OE Manufacturer/Part No.

Manufacturer	Original Part No.	Model
Navistar/Fleetrite	359519C1	