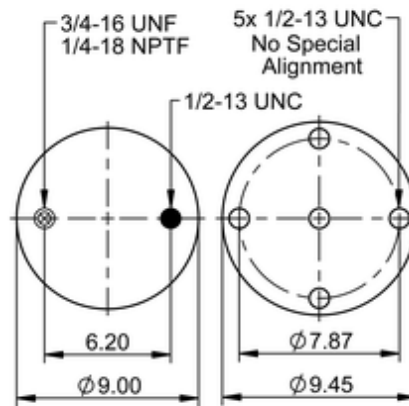
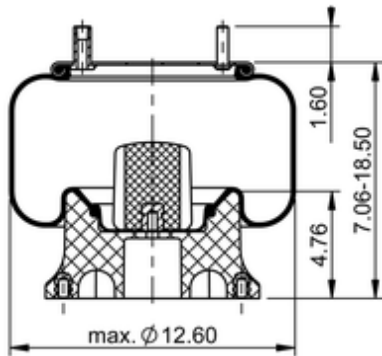


9 10-14 P 346
64467


	13.2 lb
	9308301
	1/2-13 UNC: max. 35 lbf ft
	1/4-18 NPTF: max. 22 lbf ft
	3/4-16 UNF: max. 50 lbf ft

Cross-reference

Firestone Style	1T15M-4
Firestone No.	W01-358-9011
Taurus	6362
Triangle	AS-8346
TRP	AS90110
Automann	1DK23I-9011

OE Manufacturer/Part No.

Manufacturer	Original Part No.	Model
Hendrickson	S-2307	
Watson & Chalin	AS-0130	
Dayton	352-9011	