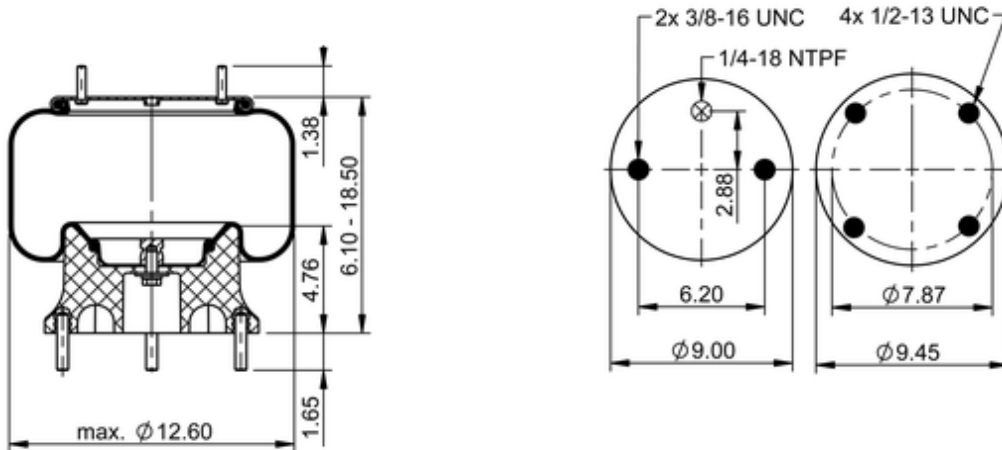


**9 10-14 P 220**
**69774**


	11 lb
	9308301
	1/2-13 UNC: max. 35 lbf ft
	1/4-18 NPTF: max. 22 lbf ft
	3/8-16 UNC: max. 20 lbf ft

**Cross-reference**

Automann	1DK23I-P220
----------	-------------

**OE Manufacturer/Part No.**

Manufacturer	Original Part No.	Model
New Flyer	000065	

