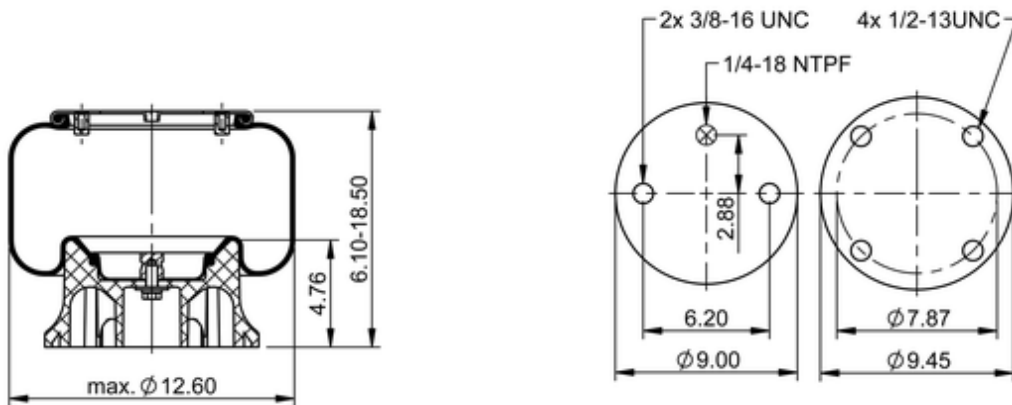







9 10-14 P 188

69493



 lb	11.2 lb
	9308301
	1/2-13 UNC: max. 35 lbf ft
	1/4-18 NPTF: max. 22 lbf ft
	3/8-16 UNC: max. 20 lbf ft

### Cross-reference

Firestone No.	W01-358-9959
Automann	1DK231-9959

### OE Manufacturer/Part No.

Manufacturer	Original Part No.	Model
--------------	-------------------	-------

New Flyer

000065