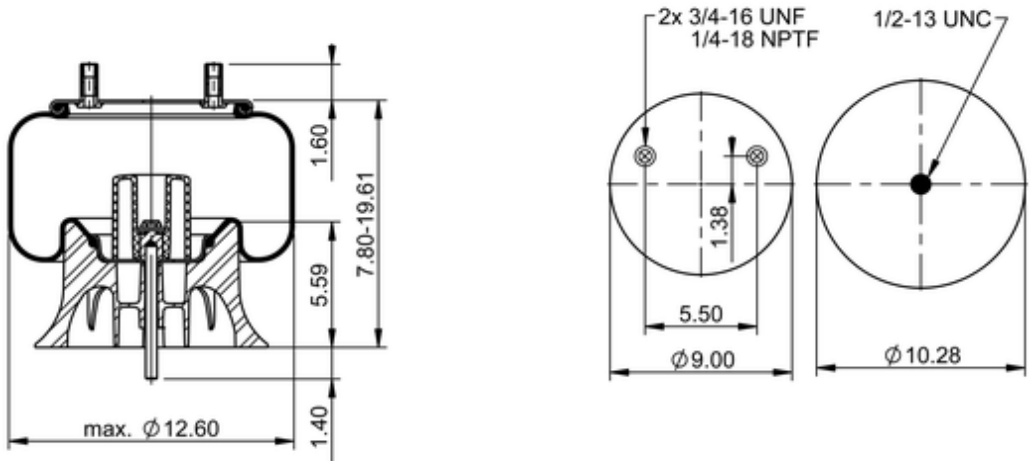







9 10-14 A 959

601421



	16 lb
	9313361
	1/2-13 UNC: max. 35 lbf ft
	1/4-18 NPTF: max. 22 lbf ft
	3/4-16 UNF: max. 50 lbf ft

Cross-reference

Goodyear	1R12-1179
----------	-----------

OE Manufacturer/Part No.

Manufacturer	Original Part No.	Model
--------------	-------------------	-------

