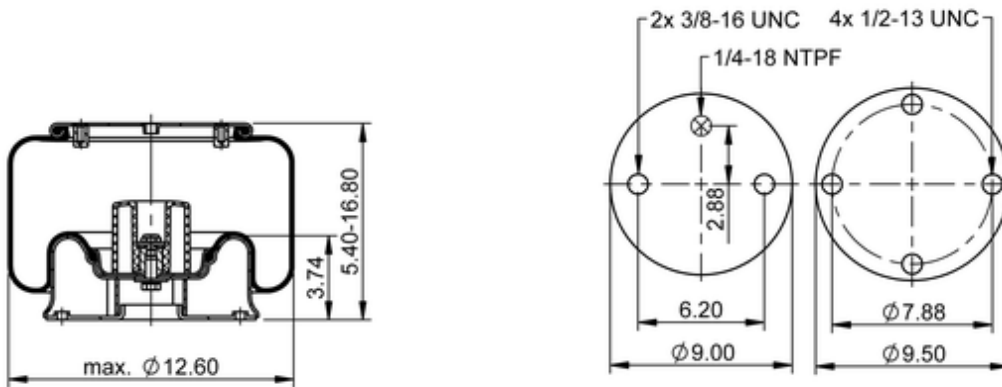







9 10-13.5 S 734

64667



	18.5 lb
	9311827
	1/2-13 UNC: max. 35 lbf ft
	1/4-18 NPTF: max. 22 lbf ft
	3/8-16 UNC: max. 20 lbf ft

Cross-reference

Automann	1DK23I-S734
----------	-------------

OE Manufacturer/Part No.

Manufacturer	Original Part No.	Model
Granning	704691-01	

