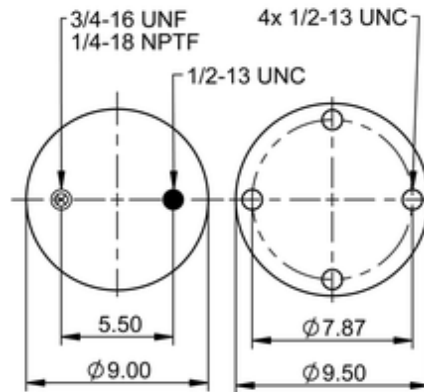
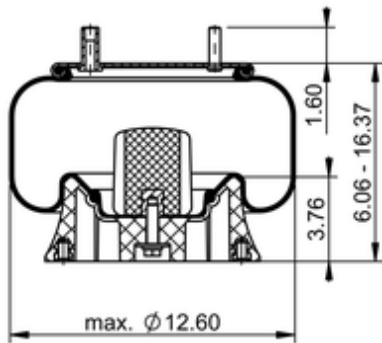


9 10-13.5 P 1394
78638


	12.3 lb
	9312070
	1/2-13 UNC: max. 35 lbf ft
	1/4-18 NPTF: max. 22 lbf ft
	3/4-16 UNC: max. 50 lbf ft

Cross-reference

Firestone No.	W01-358-9303
Goodyear	1R12-614
Goodyear Flex No.	566243076
TRP	AS13943

OE Manufacturer/Part No.

Manufacturer	Original Part No.	Model
--------------	-------------------	-------