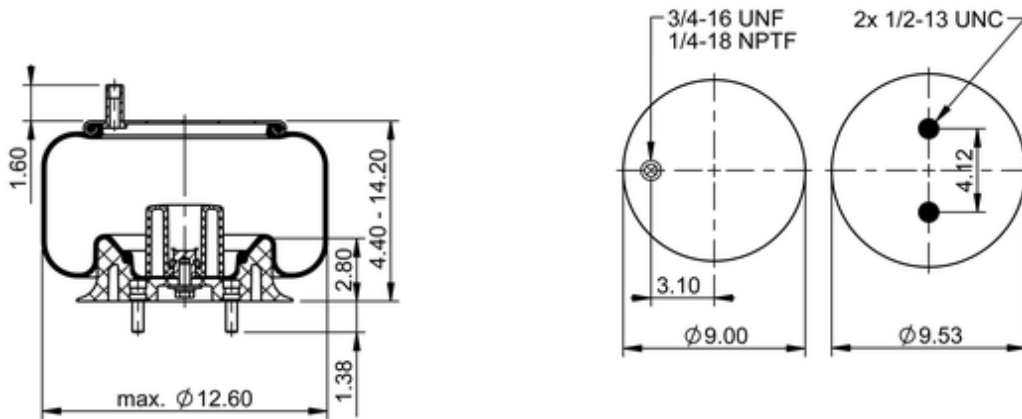


9 10-12 P 544
64463


	10.5 lb
	9308624
	1/2-13 UNC: max. 35 lbf ft
	1/4-18 NPTF: max. 22 lbf ft
	3/4-16 UNF: max. 50 lbf ft

Cross-reference

Firestone Style	1T15M-2
Firestone No.	W01-358-8934
Goodyear	1R12-563
Goodyear Flex No.	566243067
Taurus	6361
Triangle	AS-8544

TRP	AS89340
Automann	1DK23H-8934

OE Manufacturer/Part No.

Manufacturer	Original Part No.	Model
Hendrickson	S-20228	