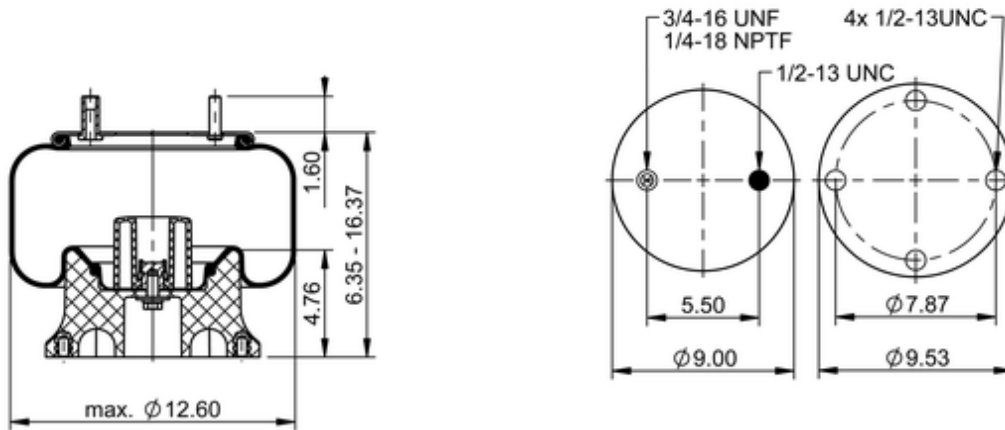


9 10-12 P 396
64452


	11.6 lb
	9308301
	1/2-13 UNC: max. 35 lbf ft
	1/4-18 NPTF: max. 22 lbf ft
	3/4-16 UNF: max. 50 lbf ft

Cross-reference

Firestone Style	1T15M-2
Firestone No.	W01-358-8930
Taurus	6361
Triangle	AS-8396
TRP	AS66839
Automann	1DK23H-8930

OE Manufacturer/Part No.

Manufacturer	Original Part No.	Model
Ridewell	1003588930C	