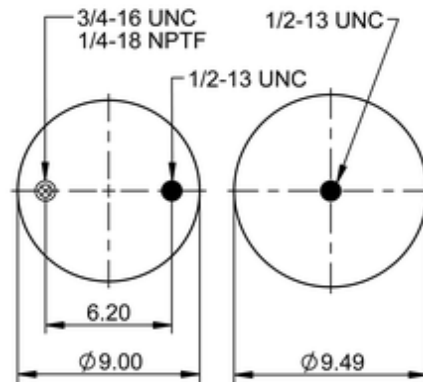
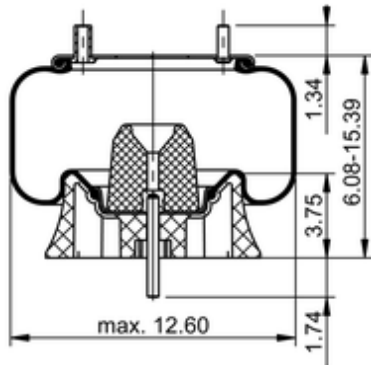







9 10-12 P 190

69495



 lb	12.2 lb
	9311939
	1/2-13 UNC: max. 35 lbf ft
	1/4-18 NPTF: max. 22 lbf ft
	3/4-16 UNF: max. 50 lbf ft

Cross-reference

Firestone No.	W01-W35-8937
Automann	1DK23H-8937

OE Manufacturer/Part No.

Manufacturer	Original Part No.	Model
--------------	-------------------	-------

