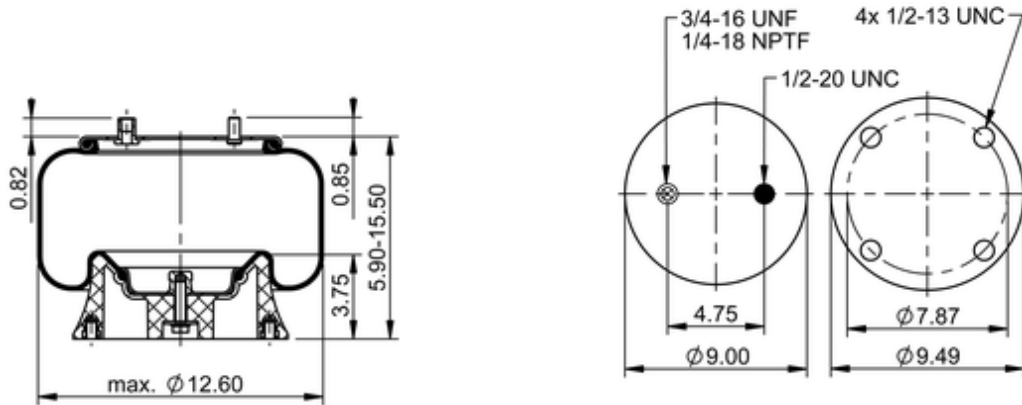


**9 10-12 P 1145**
**74790**


	10.1 lb
	9312070
	1/2-13 UNC: max. 35 lbf ft
	1/4-18 NPTF: max. 22 lbf ft
	3/4-16 UNF: max. 50 lbf ft

**Cross-reference**

Firestone Style	1T15M-2
Firestone No.	W01-358-9100
Goodyear	1R12-076
Goodyear Flex No.	566243076

**OE Manufacturer/Part No.**

<b>Manufacturer</b>	<b>Original Part No.</b>	<b>Model</b>
New Flyer	5973876	
AM General	5973924	