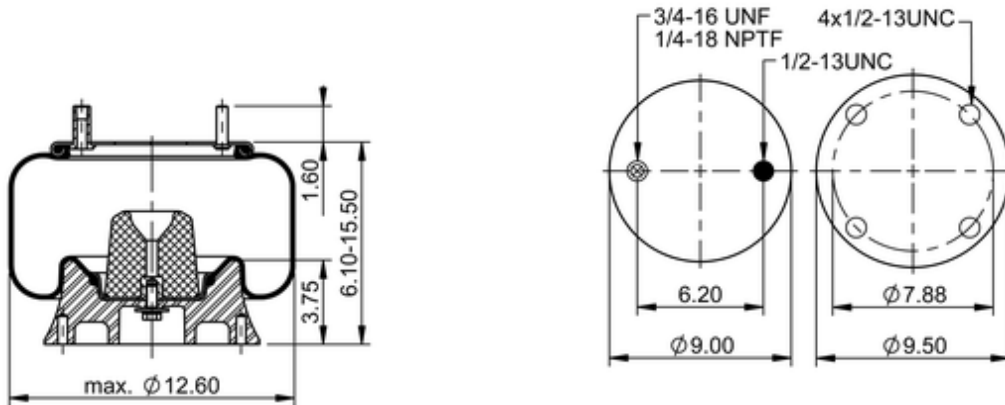


9 10-12 A 707
64633


	12.3 lb
	9309183
	1/2-13 UNC: max. 35 lbf ft
	1/4-18 NPTF: max. 22 lbf ft
	3/4-16 UNF: max. 50 lbf ft

Cross-reference

Firestone No.	W01-358-9127
Goodyear	1R12-512
Goodyear Flex No.	566243076
Triangle	AS-8707
TRP	AS91270
Automann	1DK23H-9127A

OE Manufacturer/Part No.

Manufacturer	Original Part No.	Model
New Flyer	009594	