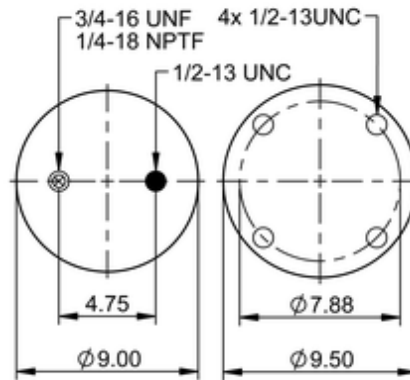
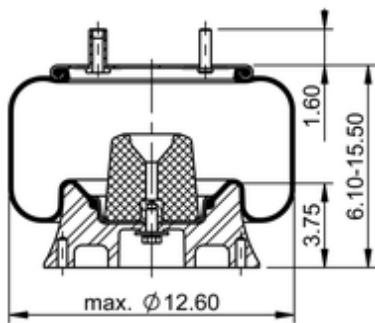


9 10-12 A 342
64449


	15.9 lb
	9309183
	1/2-13 UNC: max. 35 lbf ft
	1/4-18 NPTF: max. 22 lbf ft
	3/4-16 UNF: max. 50 lbf ft

Cross-reference

Firestone Style	1T15M-2
Firestone No.	W01-358-9118
Taurus	6361
Triangle	AS-8342
TRP	AS91180
Automann	1DK23H-9118

OE Manufacturer/Part No.

Manufacturer	Original Part No.	Model
Ridewell	1003589118C	