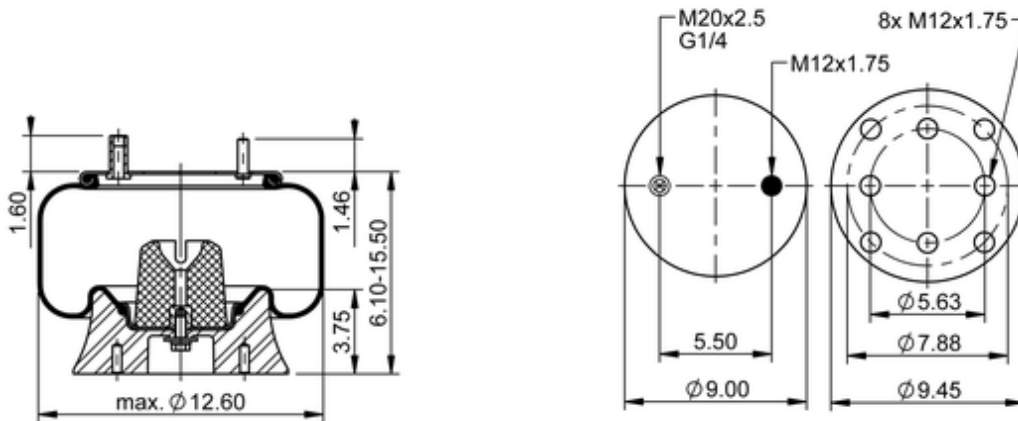


9 10-12 A 1284
77203


| | |
|--|--------------------------|
| | 16.1 lb |
| | 9316248 |
| | G1/4: max. 22 lbf ft |
| | M12x1.75: max. 35 lbf ft |
| | M20x2.5: max. 35 lbf ft |

Cross-reference

| | |
|-----------------|--------------|
| Firestone Style | 1T15M-2 |
| Firestone No. | W01-358-8931 |
| Triangle | AS-81284 |

OE Manufacturer/Part No.

| Manufacturer | Original Part No. | Model |
|---------------------|--------------------------|--------------|
| John Deere | AN205362 | |