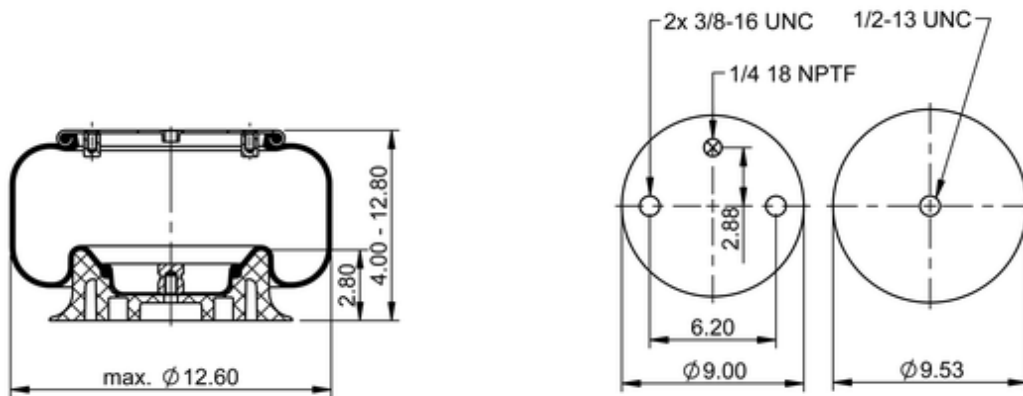






9 10-10 P 338

64432



| | |
|---|-----------------------------|
|  | 9.2 lb |
|  | 9308127 |
|  | 1/4-18 NPTF: max. 22 lbf ft |
|  | 3/8-16 UNC: max. 20 lbf ft |

Cross-reference

| | |
|----------|-------------|
| Taurus | 6360 |
| Triangle | AS-8338 |
| Automann | 1DK23F-P338 |

OE Manufacturer/Part No.

| Manufacturer | Original Part No. | Model |
|--------------|-------------------|-------|
|--------------|-------------------|-------|

