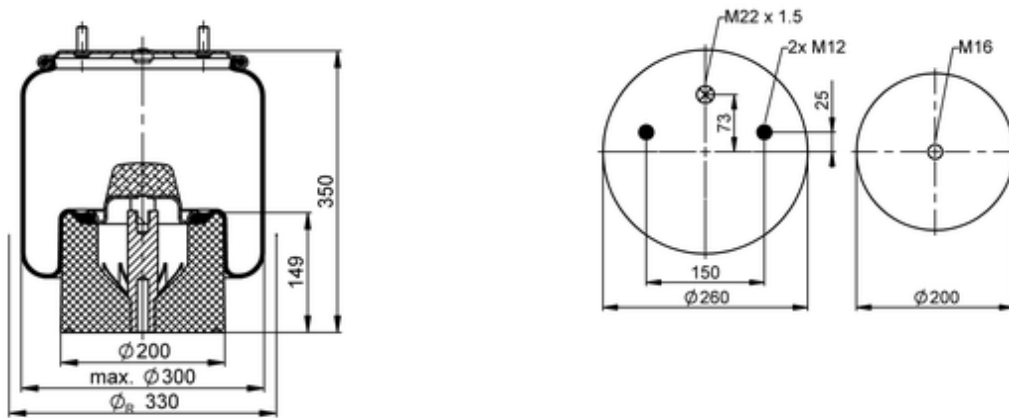


940 MB P01
78361


- bolt or stud
- hole
- combination stud
- air inlet
- stud and nut

	6 kg
	10003418
	M12: max. 70 Nm
	M16: max. 230 Nm
	M22x1.5: max. 20 Nm

OE Manufacturer/Part No.

Manufacturer	Original Part No.	Model
BPW	05.429.43.86.0	30 K