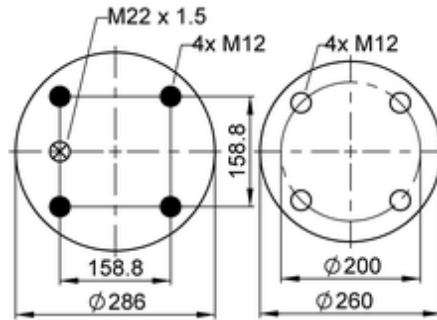
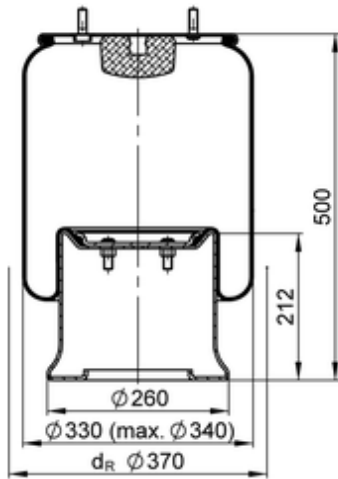


912 N P02
67202


- bolt or stud
- hole
- combination stud
- air inlet
- stud and nut

	14,7 kg
	10086741
	K002
	M12: max. 70 Nm
	M22x1.5: max. 20 Nm

OE Manufacturer/Part No.

Manufacturer	Original Part No.	Model
Weweler	US 96681	
Hendrickson	507 782	
SAF - Holland	03229001300	
Meritor	2122 2673	
SAF - Holland	3.229.0013.00	2926 N P02

