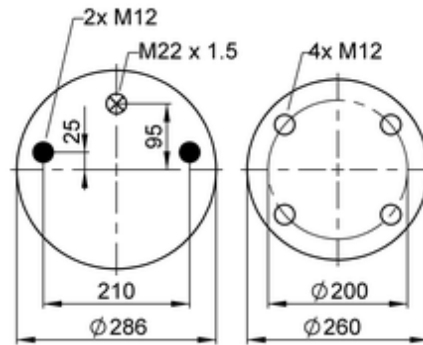
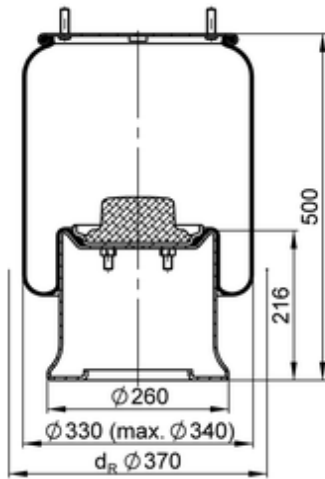


912 N P01
67201


- bolt or stud
- hole
- combination stud
- air inlet
- stud and nut

	14,6 kg
	10086740
	K001
	M12: max. 70 Nm
	M22x1.5: max. 20 Nm

OE Manufacturer/Part No.

Manufacturer	Original Part No.	Model
Weweler	US 07385	
SAF - Holland	03228003000	
SAF - Holland	03229003000	
SAF - Holland	2926V	
SAF - Holland	3.229.0030.00	2926 V P01

SAF - Holland

3.228.0030.00

2926 V P03 Modul