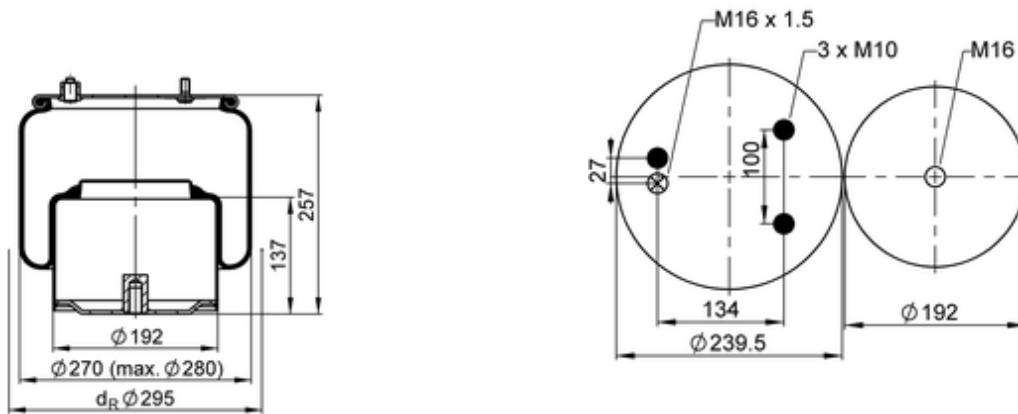


887 M K1
60211


bolt or stud
 hole
 combination stud
 air inlet
 stud and nut

kg	6 kg
	K008
	M10: max. 35 Nm
	M16: max. 130 Nm
	M16x1.5: max. 40 Nm

OE Manufacturer/Part No.

Manufacturer	Original Part No.	Model
DAF	0 392 011	
DAF	0 392 022	
DAF	1 697 684	
DAF	1 529 834	
DAF	1 697 684	CF 75-85

DAF

1 697 684

XF 95-105