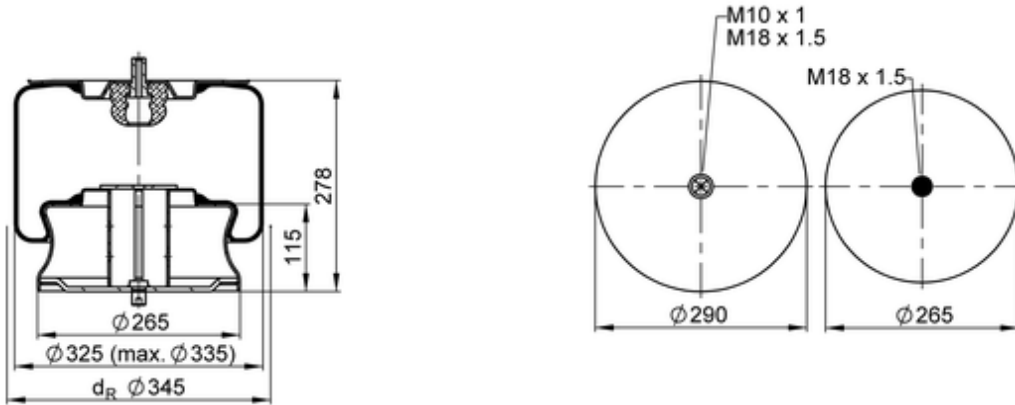


876 MB
73453


- bolt or stud
- hole
- combination stud
- air inlet
- stud and nut

	11 kg
	M18x1.5: max. 80 Nm

OE Manufacturer/Part No.

Manufacturer	Original Part No.	Model
AYATS	30201085	
Renault	5.000.640.399	
AYATS	30201085	
Renault	5.000.640.399	